

classic garden bench

The classic garden bench is beautifully designed, solid and comfortable. Without the backrest, and with a seat height of 46 centimetres, it matches the classic garden table in a garden restaurant or on your patio.

With the backrest, it is slightly lower and designed for a more comfortable sitting position. This model prefers to stand alone in the park or against a sunny wall.

Seat, back slats and armrests made of weatherproof ash wood are available dipped and impregnated or lacquered in nine colours.

The hot-dipped round steel base provides stability; levelling glides ensure the bench stands firmly on any ground.



classic garden bench

info@atelieralineia.ch | atelieralineia.ch

atelier ALINEA | KLASSISCHER GARTENBANK © 2020



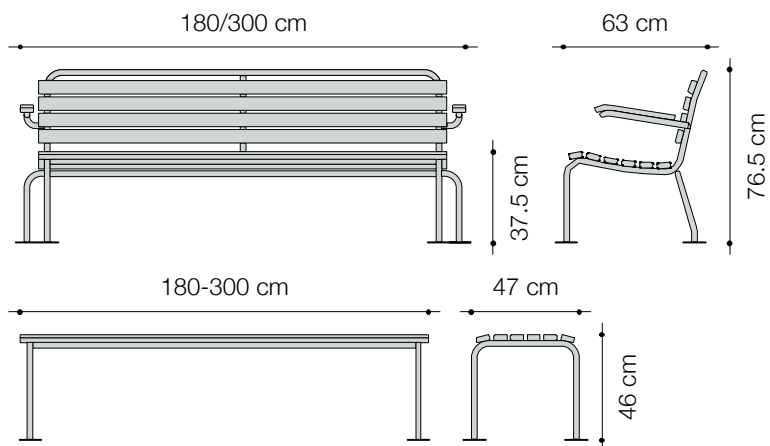


atelier
ALINEA



atelier

ALINEA



classic garden bench

Dimensions

Garden bench w/o armrests: 180 x 47 x H. 46 cm / 240 x 47 x H. 46 cm / 270 x 47 x H. 46 cm / 300 x 47 x H. 46 cm

Garden bench with armrests: 180 x 63 x H. 37.5 / 76.5 cm / 300 x 63 x H. 37.5 / 76.5 cm

Technical information

Frame: Galvanized round steel profile, optionally enamel coated, with levelling feet.

Slats: Solid ash wood, natural dip impregnated or varnished in colour.

Colours & finishes: **A:** Tomato red RAL3013 / **B:** Fir green RAL6009 / **C:** Slate grey RAL7015 / **D:** Pure white RAL9010 / **E:** Ash natural / **H:** Bluegrey SIKKENS 20.40 / **R:** Reseda green RAL6011 / **S:** Pastel turquoise RAL6034 / **T:** Chestnut brown RAL8015 / **U:** Pebble grey RAL7032

A

B

C

D

E

H

R

S

T

U

